

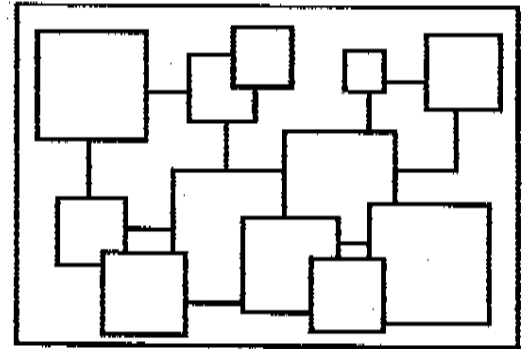
Name: \_\_\_\_\_

Date: \_\_\_\_\_

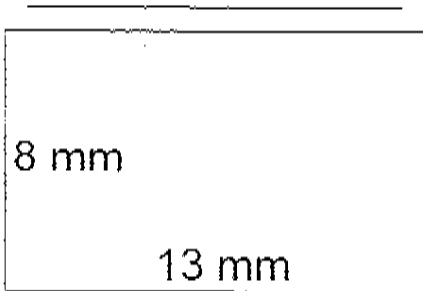
# Geometry Strand 4.3.C

*What gets wetter while it dries? A towel!*

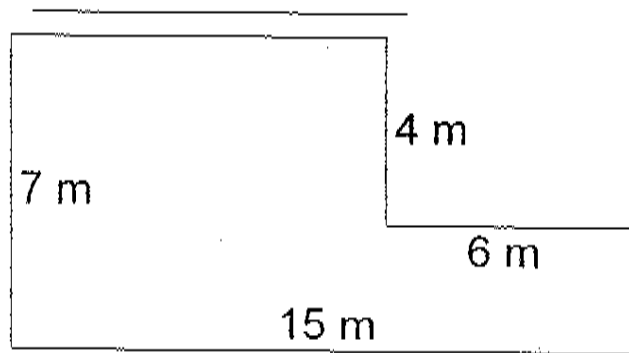
Find the perimeter.



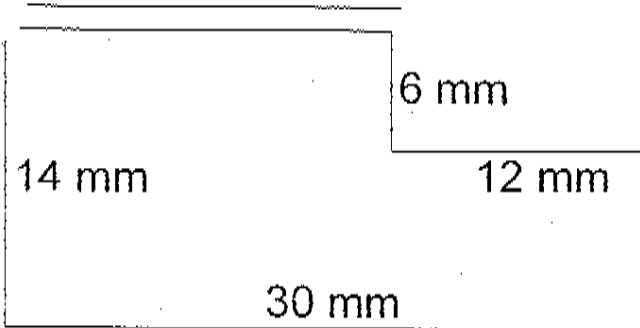
1



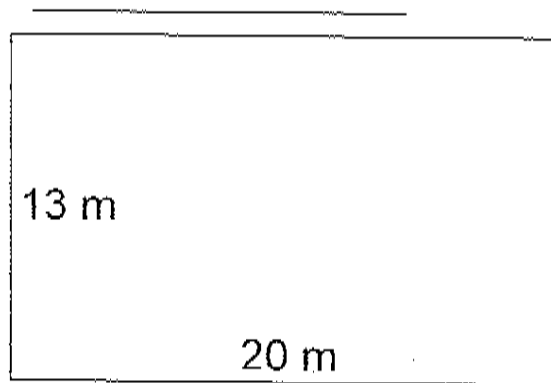
2



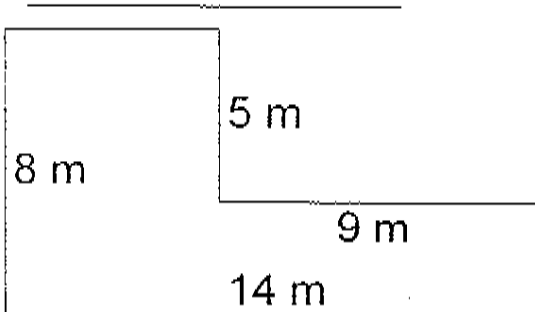
3



4



5



6

